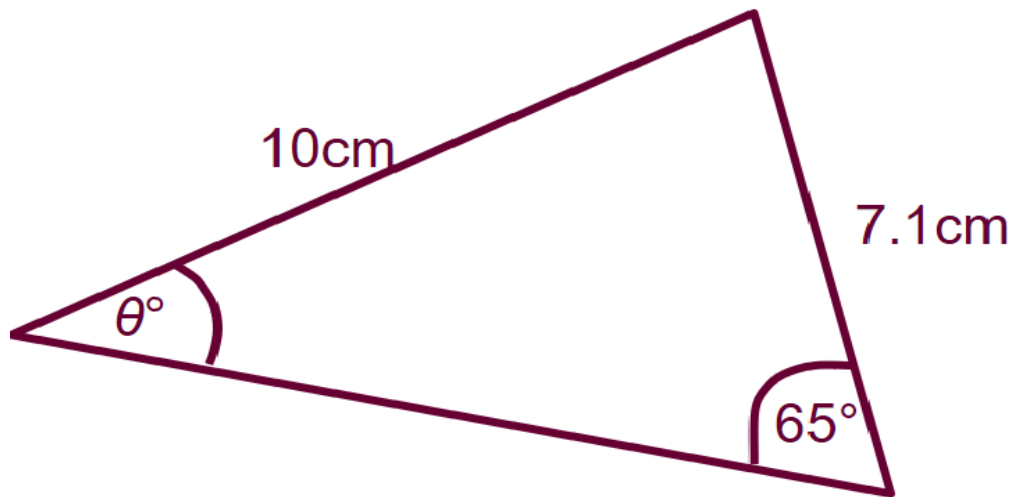


EXAMPLE 2:

Calculate the value of the angle θ



THE SINE RULE EXAMPLES

Calculate the length of the side marked x :

